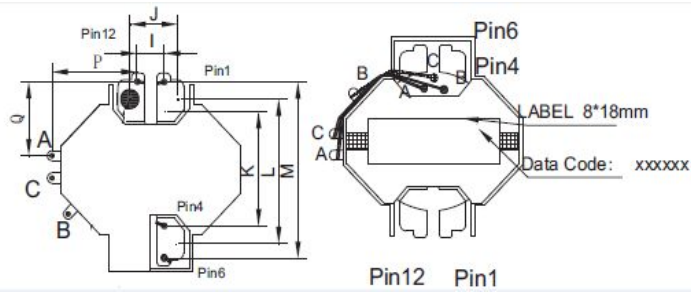


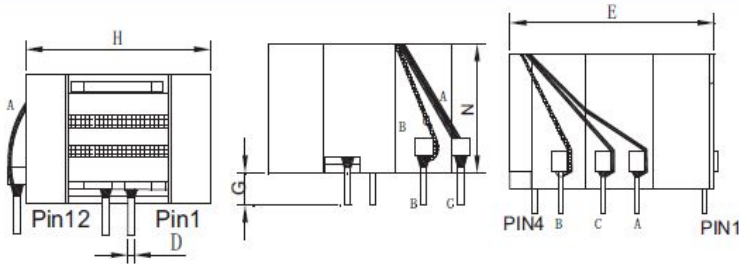
CUSTOMER TERMINAL	ROHS	Lead(Pb)-free
	YES	YES



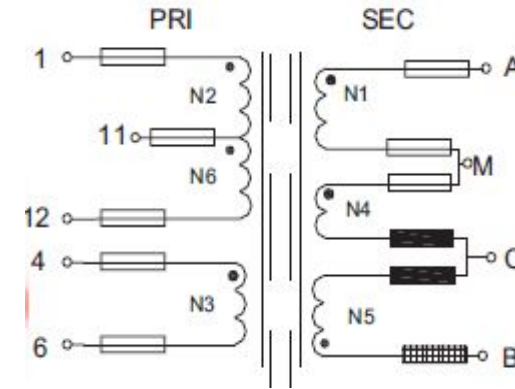
### 1.Mechanical Dimensions



H	29.0	MAX
E	26.0	MAX
N	20.0	MAX
G	3.5	±0.5
I	3.6	±0.3
J	7.2	±0.3
K	14.4	±0.4
L	18.0	±0.4
M	21.6	±0.4
P	12.6	±0.4
Q	7.9	±0.3
D	0.6	±0.1



### 2.Schematic Diagram



### 3.Material List

- Core:FW44 RM8
- Bobbin:FWB0804(6+6PIN)
- Wire:2UEW TIW
- Copper foil: 0.025t\*5.0/6.0mm
- Operating Temperature: -30 to115 °C

### 4.Electrical Specification

- Inductance :  $L(1-12):430\mu H \pm 5\%$  100KHZ , 1.0V
- Leakage inductance: 8uH MAX 100KHZ , 1.0V
- DCR :  $(12-1)=0.55\Omega$  MAX
- Hi-Pot:P-S: AC 60Hz 4000V 1mA 3S
- S-CORE:AC 60Hz 4000V 1mA 3S

REV.	DATE	 Convention Placement	DRW.	Drawing Title:	Part No:		
0	00/00		CHK.			<b>TRANSFORMER</b>	FWPTRM8V431J
			APP.			Customer P/N	Specification Sheet 1of 1

**ROHS**

[www.ferriwo.com](http://www.ferriwo.com)